



TBR9-S

TBR9-BSR/W

TBR9

Addressable Electronic Sounder and Beacon

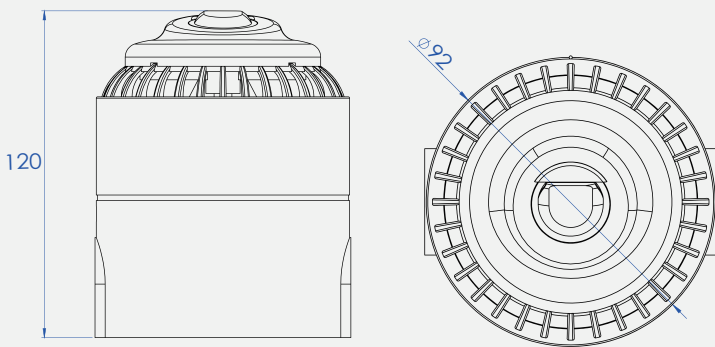
Characteristics

- Compatible with addressable fire alarm control panel QA16.
- High sound output 90dB(A) at 1 meter.
- Two wire connection with loop-powered.
- Maximum 30pcs of TBR9 per loop
- High efficiency light output.
- Dustproof and waterproof IP65 rating.

Order information

Sounder	: TBR9-S
Sounder+Beacon	: TBR9-BSR (Red LED)
Sounder+Beacon	: TBR9-BSW (White LED)

Dimensions



Unit:mm

Specifications

Model	TBR9-S	TBR9-BSR	TBR9-BSW
Type	Addressable Electronic Sounder	Addressable Electronic Sounder and Beacon (Red LED)	Addressable Electronic Sounder and Beacon (White LED)
Input Source/ code	Zone signal / Binary coding		
Operating Voltage	26.5V DC		
Standby Current	Under 850 μ A		
Alarm Current	Under 8mA		
Sound Output	90 \pm 4 dB(A) at 1 meter		
Sounder Output	2.3~3.4KHz		
LED Flash Rate	N/A	1.3Hz (ON 0.003S/OFF0.7S)	1.3Hz (ON 0.003S/OFF0.7S)
Ingress Protection	IP65		
Max. number of device connected per loop	30 pcs per loop *Horing Lih manufactured		
Ambient Temperature	-20 $^{\circ}$ C ~ +50 $^{\circ}$ C		
Ambient Humidity	10% ~ 95%		
Material	Fire-proof plastic		
Color	Red		
Dimensions(mm)	92(Dia) x 103(H)	92(Dia) x 120(H)	