

DI-M9102 Intelligent Photoelectric Smoke Detector



Description

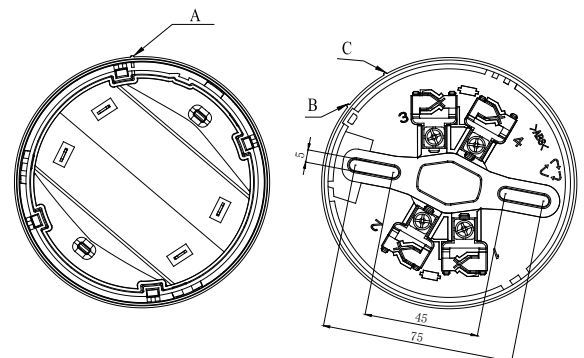
DI-M9102 Intelligent Photoelectric Smoke Detector is addressable type fire detection device, build up fire alarm system together with fire alarm panel and other alarm devices. By light-scattering technology, the detector is suitable for hotel, restaurant, office building, school, bank, warehouse, library, computer room, switch room, and etc.

Features and Benefits

- Electrically addressed, can be modified by programmer
- Strong environmental adaptability due to drift compensation
- Self-diagnostic
- Reed switch test
- Dirty chamber checking
- Fire LED allows 360° viewing
- LED indication for both fire and normal status
- LED indication for normal status can be turned off by handheld programmer
- Remote indicator output

Terminals and Installation Holes

Below figures show the detector bottom and terminals of the base.



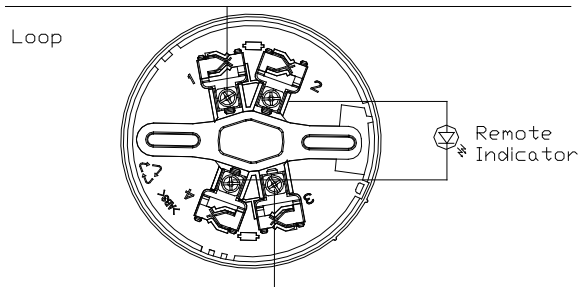
- 1&3: Loop connection (non-polarized)
- 2: Positive terminal of remote indicator
- 4: Negative terminal of remote indicator

Recommended Cabling

17AWG ~ 14AWG fire cable is recommended, but subject to local codes.

Application

The wiring diagram is shown below



Address can be set through P-9910B programmer, also the sensitivity.

Below table shows relative setting codes for working modes. Factory defaults at Normal LED.

Detector Code	Polling LED
1	Normal
129	OFF

Technical Specification

Operating Voltage	loop 24VDC (16VDC ~ 28VDC)
Standby Current	≤0.8mA
Alarm Current	≤1.8mA (without remote indicator) ≤3.8mA (with remote indicator)
LED Indicator	Red Normal: Flash on polling Fire: Steadily ON
Remote Indicator Output	Polarity-sensitive output, directly connect to remote indicator (built in 10k resistor in series, max. output current is 2mA); Flashes in alarming and does not illuminate in normal.
Programming Method	Electronically programming
Code Range	1 ~ 242
Sensitivity and range	1.23%~3.20% per ft
UL Temperature Range	32°F (0°C) - 100°F (37.8°C)
Operating Temperature	14°F (-10°C) - 131°F (+55°C)
Relative Humidity	≤95%, non condensing
Material of Enclosure	ABS White (RAL 9016)
Ingress Protection Rating	IP2X
Dimensions	Diameter: 100mm Height: 44.5mm(without base)
Mounting Hole Distance	45mm ~ 75mm
Weight	About 110g

Certificates and Compliance

- Standards: UL 268
- Listed by UL
- WEEE & RoHS Compliant

Order Information

Part No.	DI-M9102
Device Name	Intelligent Photoelectric Smoke Detector
Product No.	10104831
Compatible Products	GST-M200, GST-IFP4M Intelligent Fire Panel

Accessories and Tools



Part No.: DC-M9402
Device name: Conventional Sounder Base
Product No.: 10106029



Part No.: DB-M01
Device name: Common Detector Base
Product No.: 30205767



Part No.: C-9314P
Device name: Remote Indicator
Product No.: 10102339



Part No.: P-9910B
Device name: Handheld Programmer
Product No.: 10104894