

DI-M9103

Intelligent Rate of Rise and Fixed Temperature Heat Detector



Description

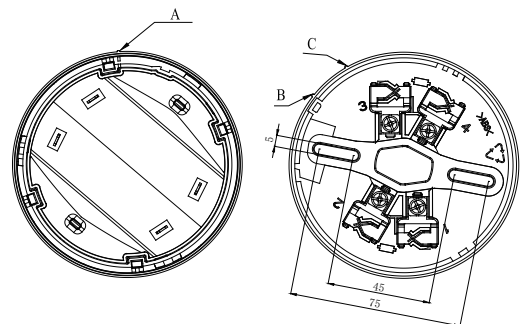
DI-M9103 Intelligent Rate of Rise and Fixed Temperature Heat Detector is addressable fire alarm device cooperating with GST intelligent fire alarm control panels (FACP) to build a fire detection system. The detector shows fire alarm by the LED indicator and transmits the signal to the FACP. Rate of rise and fixed temperature detections are combined. Rate of rise detection can be switched off due to environment to avoid false alarm.

Features and Benefits

- Electrically addressed, can be modified by programmer
- Fault self-diagnostic
- Rate of rise detection can be switched off
- Reed switch test
- Fire LED allows 360° viewing
- LED indication for both fire and normal status
- LED indication for normal status can be turned off by handheld programmer
- Output terminal for remote indicator available
- Comply with UL 521

Terminals and Installation Holes

Below figures show the detector bottom and terminals of the base.



There are four terminals with marks on the base.

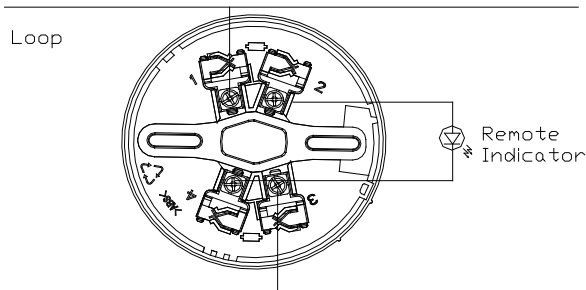
- 1: Positive IN
- 2: Positive OUT
- 3: Negative IN and OUT
- 2: Positive terminal of remote indicator
- 4: Negative terminal of remote indicator

Recommended Cabling

17AWG ~ 14AWG fire cable is recommended, but subject to local codes.

Application

The wiring diagram is shown below



Address can be set through P-9910B programmer, also the sensitivity.

Below table shows relative setting codes for sensitivity levels and working modes. Factory defaults at Rate of Rise and Fixed Temperature + Normal LED.

Detector Code	Class	Polling LED
7	Rate of Rise and Fixed Temperature	Normal
8	Fixed Temperature	Normal
135	Rate of Rise and Fixed Temperature	OFF
136	Fixed Temperature	OFF

Technical Specification

Operating Voltage	loop 24VDC (16VDC ~ 28VDC)
Standby Current	≤0.6mA
Alarm Current	≤1.5mA (without remote indicator) ≤3.5mA (with remote indicator)
LED Indicator	Red Normal: Flash on polling Fire: Steadily ON
Remote Indicator Output	Polarity-sensitive output, Directly connects to remote indicator (built in 10k resistor in series. Maximum output current is 2.0mA); The remote indicator is quiet in polling and will flash in alarming.
Programming Method	Electronically programming
Code Range	1 ~ 242
Sensitivity	Action Temperature: 135°F (57.2°C) Response rate of rise: 15°F/min (8.3°C/min)
UL Temperature Range	32°F (0°C) - 100°F (37.8°C)
Operating Temperature	14°F (-10°C) - 122°F (+50°C)
Relative Humidity	≤95%, non condensing
Material of Enclosure	ABS White (RAL 9016)
Ingress Protection Rating	IP2X
Dimensions	Diameter: 100mm Height: 53.3mm (with base)
Mounting Hole Distance	45mm ~ 75mm
Weight	About 110g

Certificates and Compliance

- Standards: UL521
- Listed by UL
- WEEE & RoHS Compliant

Order Information

Part No.	DI-M9103
Device Name	Intelligent Rate of Rise and Fixed Temperature Heat Detector
Product No.	10104833
Compatible Products	GST-M200, GST-IFP4M Intelligent Fire Panel

Accessories and Tools



Part No.: DC-M9402
Device name: Conventional Sounder Base
Product No.: 10106029



Part No.: DB-M01
Device name: Common Detector Base
Product No.: 30205767



Part No.: C-9314P
Device name: Remote Indicator
Product No.: 10102339



Part No.: P-9910B
Device name: Handheld Programmer
Product No.: 10104894