

## Model SW-20 and SW-24 — 11.2 K-factor Extended Coverage Ordinary Hazard Horizontal Sidewall Sprinklers (Standard Response)

### IMPORTANT

Refer to Technical Data Sheet TFP2300 for warnings pertaining to regulatory and health information.

Always refer to Technical Data Sheet TFP700 for the "INSTALLER WARNING" that provides cautions with respect to handling and installation of sprinkler systems and components. Improper handling and installation can permanently damage a sprinkler system or its components and cause the sprinkler to fail to operate in a fire situation or cause it to operate prematurely.

Scan the QR code or enter the URL in a web browser to access the most up-to-date electronic version of this document. Data rates may apply.



[docs.jci.com/tycofire/TFP230](https://docs.jci.com/tycofire/TFP230)

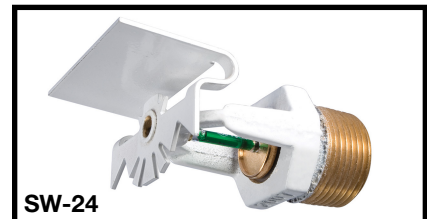
### General Description

The TYCO Model SW-20 and SW-24, 11.2 K-factor, Extended Coverage Ordinary Hazard (ECHO) Horizontal Sidewall Sprinklers, Standard Response are decorative glass bulb sprinklers designed for use in ordinary hazard occupancies according to NFPA 13.

The SW-20 provides protection of coverage areas up to 16 ft x 20 ft (320 ft<sup>2</sup>), whereas the SW-24 provides protection of coverage areas up to 16 ft x 24 ft (384 ft<sup>2</sup>), as compared to standard coverage horizontal sidewall sprinklers having a maximum coverage area of 10 ft x 10 ft (100 ft<sup>2</sup>) for ordinary hazard occupancies.

Horizontal sidewall sprinklers are designed for installation along a wall or the side of a beam and are commonly used instead of pendent or upright sprinklers due to aesthetics or building construction considerations, where piping across the ceiling is not desirable.

Corrosion resistant coatings, where applicable, are utilized to extend the life of copper alloy sprinklers beyond that which would otherwise be obtained when exposed to corrosive atmospheres. Although corrosion resistant coated sprinklers have passed the standard corrosion tests of the applicable approval agencies, the testing is not representative of all possible corrosive atmospheres. Consequently, it is recommended that the end user be consulted with respect to the suitability of these corrosion resistant coatings for any given corrosive environment. The effects of ambient temperature, concentration of chemicals, and gas/chemical velocity, should be considered, as a minimum, along with the corrosive nature of the chemical to which the sprinklers will be exposed.



### NOTICE

The Model SW-20 and SW-24 Sprinklers described herein must be installed and maintained in compliance with this document and with the applicable standards of the National Fire Protection Association (NFPA), in addition to the standards of any authorities having jurisdiction. Failure to do so may impair the performance of these devices.

The owner is responsible for maintaining their fire protection system and devices in proper operating condition. The installing contractor or sprinkler manufacturer should be contacted with any questions.

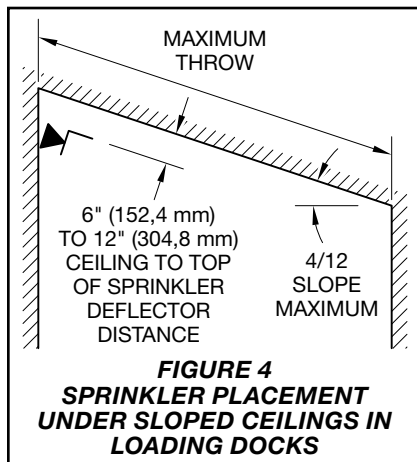
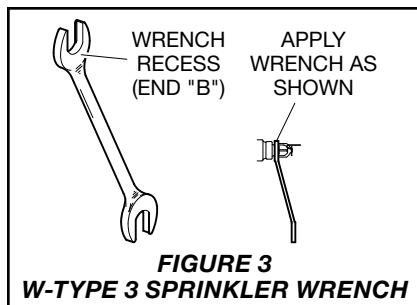
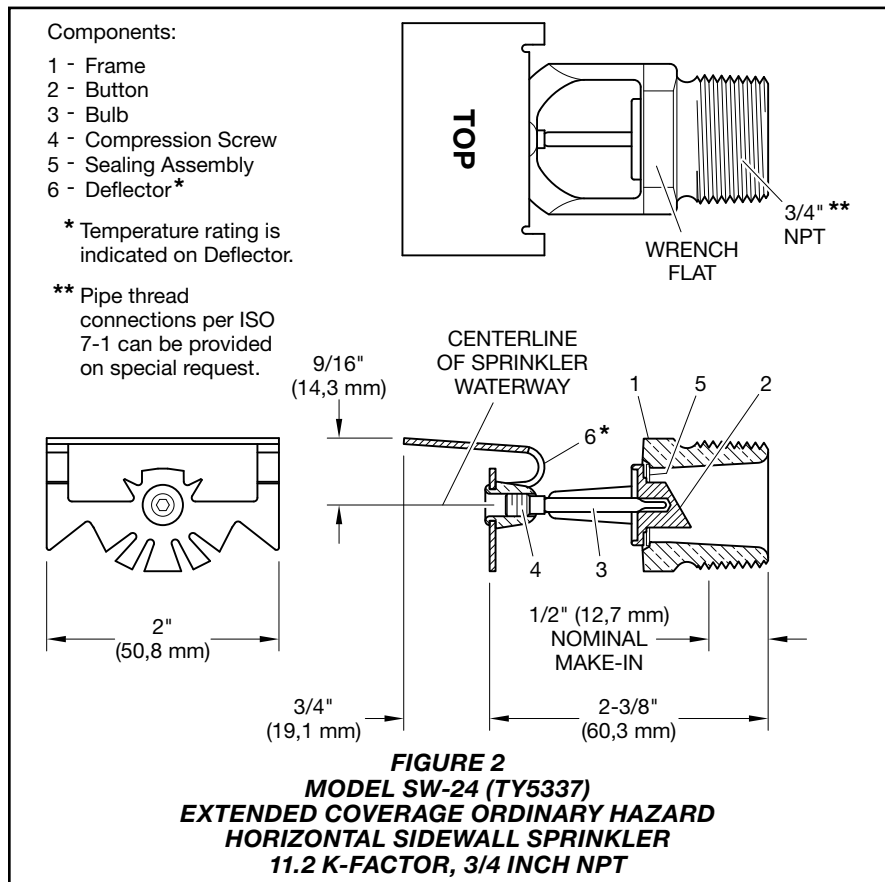
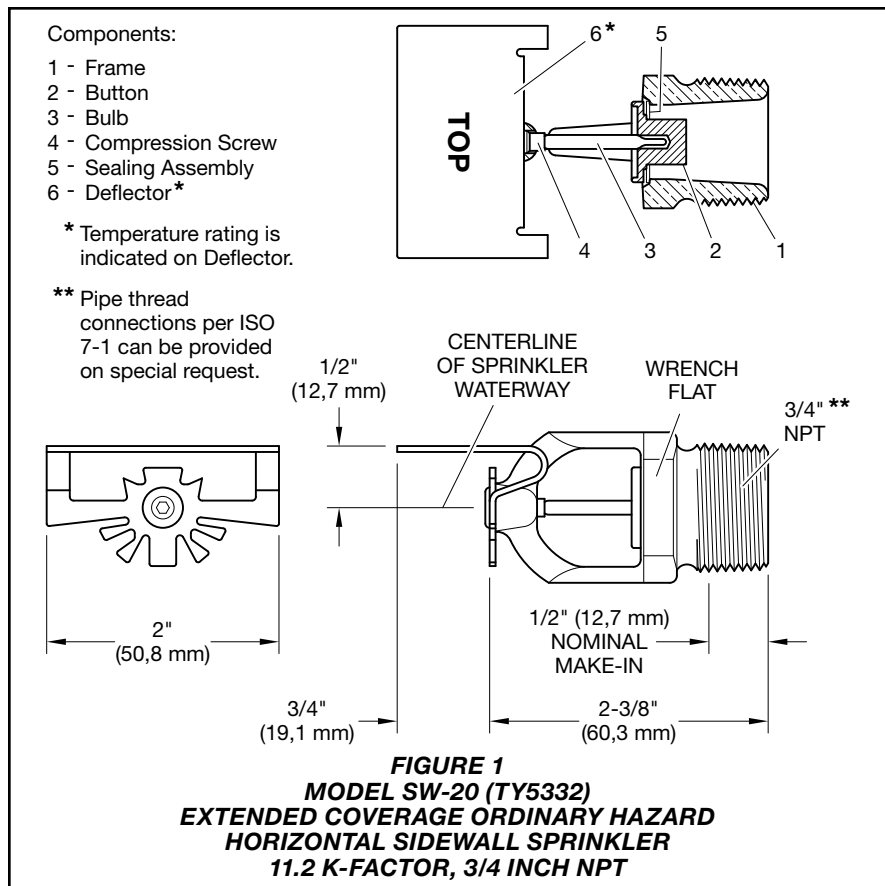
### Sprinkler Identification Number (SIN)

TY5332 — SW-20

TY5337 — SW-24

#### Note:

- TY5332 is a re-designation for C5332.
- TY5337 is a re-designation for C5337.



## Technical Data

**Approvals**  
 UL and C-UL Listed  
 NYC under MEA 177-03-E

**Notes:** See the Design Criteria Section; Polyester coated sprinklers are UL and C-UL Listed as Corrosion Resistant Sprinklers.

**Maximum Working Pressure**  
 175 psi (12,1 bar)

**Discharge Coefficient**  
 $K = 11.2 \text{ gpm/psi}^{1/2} (161,3 \text{ Lpm/bar}^{1/2})$

**Temperature Rating**  
 SW-20: 155°F (68°C) and 200°F (93°C)  
 SW-24: 200°F (93°C)

**Finishes**  
 See Table B

### Physical Characteristics:

Frame	.....	Bronze
Button	.....	Bronze
Sealing Assembly	.....	Beryllium Nickel w/ TEFLON
Bulb	.....	Glass
Compression Screw	.....	Brass
Deflector	.....	Bronze

## Operation

The glass bulb contains a fluid that expands when exposed to heat. When the rated temperature is reached, the fluid expands sufficiently to shatter the glass bulb, allowing the sprinkler to activate and water to flow.

Response Rating	Coverage Area <sup>1</sup> ft x ft (m x m)	Minimum Flow <sup>2</sup> gpm (lpm)	Minimum Pressure <sup>2</sup> psi (bar)	Deflector-To-Ceiling Distance <sup>3</sup> in. (mm)	Sprinkler Temperature Rating, °F	Minimum Spacing <sup>4</sup> ft (m)
<b>MODEL SW-20 ECOH HORIZONTAL SIDEWALL SPRINKLER (TY5332)</b> <b>OH Group 1 (0.15 gpm/ft<sup>2</sup>)</b>						
Standard	16 x 16 (4,9 x 4,9)	38 (144)	11.5 (0,79)	6 to 12 (150 to 300)	155, 200	8 (2,4)
Standard	16 x 18 (4,9 x 5,5)	43 (163)	14.7 (1,01)	6 to 12 (150 to 300)	155, 200	8 (2,4)
Standard	16 x 20 (4,9 x 6,1)	48 (182)	18.4 (1,27)	6 to 12 (150 to 300)	155, 200	8 (2,4)
<b>MODEL SW-20 ECOH HORIZONTAL SIDEWALL SPRINKLER (TY5332)</b> <b>OH Group 2 (0.20 gpm/ft<sup>2</sup>)</b>						
Standard	16 x 16 (4,9 x 4,9)	51 (193)	20.7 (1,43)	6 to 12 (150 to 300)	155, 200	8 (2,4)
Standard	16 x 18 (4,9 x 5,5)	58 (220)	26.8 (1,85)	6 to 12 (150 to 300)	155, 200	8 (2,4)
Standard	16 x 20 (4,9 x 6,1)	64 (242)	32.7 (2,25)	6 to 12 (150 to 300)	155, 200	8 (2,4)
<b>MODEL SW-24 ECOH HORIZONTAL SIDEWALL SPRINKLER (TY5337)</b> <b>OH Group 1 (0.15 gpm/ft<sup>2</sup>)</b>						
Standard	16 x 22 (4,9 x 6,7)	53 (200)	22.4 (1,54)	6 to 12 (150 to 300)	200	8 (2,4)
Standard	16 x 24 (4,9 x 7,3)	58 (220)	26.8 (1,85)	6 to 12 (150 to 300)	200	8 (2,4)
<b>MODEL SW-24 ECOH HORIZONTAL SIDEWALL SPRINKLER (TY5337)</b> <b>OH Group 2 (0.20 gpm/ft<sup>2</sup>)</b>						
Standard	16 x 22 (4,9 x 6,7)	71 (269)	40.2 (2,77)	6 to 12 (150 to 300)	200	8 (2,4)
Standard	16 x 24 (4,9 x 7,3)	77 (291)	47,3 (3,26)	6 to 12 (150 to 300)	200	8 (2,4)
<b>NOTES</b>						
1. Backwall (where sprinkler is located) by sidewall (length of throw).						
2. Requirement is based on minimum flow in GPM from each sprinkler. The indicated residual pressures are based on the nominal K-factor.						
3. The centerline of the sprinkler waterway is located below the deflector as shown in Figures 1 and 2.						
4. Minimum spacing is for lateral distance between sprinklers located along a single wall. Otherwise adjacent sprinklers (i.e., sidewall sprinklers on an adjacent wall, on an opposite wall, or pendent sprinklers) must be located outside of the maximum listed protection area of the extended coverage sidewall sprinkler being utilized.						
<b>TABLE A</b> <b>UL AND C-UL LISTING COVERAGE AND FLOW RATE CRITERIA</b>						

## Design Criteria

The TYCO Model SW-20 and SW-24, 11.2 K-factor, Extended Coverage Ordinary Hazard (ECHO) Horizontal Sidewall Sprinklers are for use in ordinary hazard occupancies with non-combustible unobstructed construction and with a ceiling slope not exceeding 2 inches per foot (9.2°), using the design criteria provided in Table A, (as well as any additional requirements specified in NFPA 13 for Extended Coverage Sidewall Spray Sprinklers).

A 36 in. (914 mm) clearance must be maintained between the top of the sprinkler deflector and any miscellaneous storage.

The SW-20 and SW-24 may be installed on sloped ceilings in loading docks with a maximum roof slope of 4 in. per foot (18.4°) as shown in Figure 4 and using the design criteria provided in Table A.

The SW-20 and SW-24 can be used only for exposed applications. The SW-20 and SW-24 cannot be recessed.

## Installation

The TYCO Model SW-20 and SW-24, 11.2 K-factor, Extended Coverage Ordinary Hazard (ECHO) Horizontal Sidewall Sprinklers must be installed in accordance with this section.

### General Instructions

Do not install any bulb type sprinkler if the bulb is cracked or there is a loss of liquid from the bulb. With the sprinkler held horizontally, a small air bubble should be present. The diameter of the air bubble is approximately 1/16 in. (1,6 mm).

A leak tight 1/2 in. NPT sprinkler joint should be obtained with a minimum to maximum torque of 7 ft-lb to 14 ft-lb (9,5 N·m to 19,0 N·m). Higher levels of torque can distort the sprinkler Inlet with consequent leakage or impairment of the sprinkler.

Do not attempt to compensate for insufficient adjustment in the Sprinkler by under- or over-tightening the Sprinkler/Support Cup Assembly. Re-adjust the position of the sprinkler fitting to suit.

**Step 1.** Horizontal sidewall sprinklers are to be installed with their centerline perpendicular to the back wall and parallel to the ceiling. The word "TOP" on the deflector is to face towards the ceiling.

**Step 2.** With pipe thread sealant applied to the pipe threads, hand tighten the sprinkler into the sprinkler fitting.

**Step 3.** Tighten the sprinkler into the sprinkler fitting using only the W-Type 3 (End B) Sprinkler Wrench shown in Figure 3. Apply the wrench to the sprinkler wrench flats shown in Figure 1 and Figure 2.

P/N 51 - XXX - X - XXX

	MODEL	SIN	SPRINKLER FINISH	SPRINKLER TEMPERATURE RATING
072	Model SW-20	TY5332	1 Natural Brass	155 155°F (68°C) (SW-20 Only)
073	Model SW-24	TY5337	4 Signal White (RAL9003) Polyester	200 200°F (93°C) (SW-20 or SW-24)
			9 Chrome Plated	

**TABLE B**  
**MODEL SW-20 AND SW-24 ECOH HORIZONTAL SIDEWALL SPRINKLERS**  
**WITH 3/4 INCH NPT CONNECTION**  
**PART NUMBER SELECTION**

## Care and Maintenance

The TYCO Model SW-20 and SW-24, 11.2 K-factor, Extended Coverage Ordinary Hazard (ECHO) Horizontal Sidewall Sprinklers must be maintained and serviced in accordance with this section.

Before closing a fire protection system main control valve for maintenance work on the fire protection system that it controls, obtain permission to shut down the affected fire protection system from the proper authorities and notify all personnel who may be affected by this action.

The owner is responsible for the inspection, testing, and maintenance of their fire protection system and devices in compliance with this document, as well as with the applicable standards of the National Fire Protection Association such as NFPA 25, in addition to the standards of any other authorities having jurisdiction. Contact the installing contractor or sprinkler manufacturer regarding any questions.

Automatic sprinkler systems should be inspected, tested, and maintained by a qualified inspection service in accordance with local requirements and/or national code.

Absence of an escutcheon, which is used to cover a clearance hole, may delay the time to sprinkler operation in a fire situation.

Automatic sprinklers must never be painted, plated, coated or otherwise altered after leaving the factory. Modified sprinklers must be replaced. Sprinklers that have been exposed to corrosive products of combustion, but have not operated, should be replaced if they cannot be completely cleaned by wiping the sprinkler with a cloth or by brushing it with a soft bristle brush.

Care must be exercised to avoid damage to the sprinklers before, during, and after installation. Sprinklers damaged by dropping, striking, wrench twist/slippage, or the like, must be replaced. Also, replace any sprinkler that has a cracked bulb or that has lost liquid from its bulb. For information about replacing a sprinkler, see the Installation Section.

Frequent visual inspections are recommended to be initially performed for corrosion resistant coated sprinklers, after the installation has been completed, to verify the integrity of the corrosion resistant coating. Thereafter, annual inspections according to NFPA 25 should suffice; however, instead of inspecting from the floor level, a random sampling of close-up visual inspections should be made, so as to better determine the exact sprinkler condition and the long term integrity of the corrosion resistant coating as it may be affected by the corrosive conditions present.

## Limited Warranty

For warranty terms and conditions, visit [www.tyco-fire.com](http://www.tyco-fire.com).

## Ordering Procedure

Contact your local distributor for availability. When placing an order, indicate the full product name and Part Numbers (P/N).

### Sprinkler Assemblies with NPT Thread Connections:

Specify: Model (specify) ECOH Horizontal Sidewall Sprinkler, SIN (specify), (specify) temperature rating, (specify) finish, P/N (specify from Table B)

### Sprinkler Wrench:

Specify: W-Type 3 Sprinkler Wrench, P/N 56-895-1-001



Worldwide  
Contacts | [www.tyco-fire.com](http://www.tyco-fire.com)

## **TFP230**

### **Change History Appendix**

ISSUE DATE	NOTES
08-22	Page 1, added QR code and URL to allow convenient access to electronic version from printed document; Page 6, changed corporate address and telephone number to 1467 Elmwood Avenue, Cranston, RI 02910   Telephone +1-401-781-8220, formerly 1400 Pennbrook Parkway, Lansdale, PA 19446   Telephone +1-215-362-0700.
08-18	Updated Tyco® branding and document format; Added Johnson Controls copyright; Added disclaimer stating specifications and information subject to change without notice; Added reference to Regulatory and Health Warning Technical Data Sheet TFP2300.
03-14	Clarified polyester finish on sprinklers.
08-13	Restored data missing from Table A of 05-13 edition.
05-13	Updated and standardized RAL color finishes; Removed escutcheon part numbers, replaced by reference to data sheet TFP770 for escutcheon finish selection and part numbers.
01-05	Added reference to Installer Warning data sheet TFP700; Added NYC Approved; Added White (RAL9010) finish for Eastern Hemisphere sales.
04-03	New Technical Data Sheet TFP230 describes Model SW-20 and SW-24 EC HSW Sprinklers.