

Series TY-FRB, 5.6 K-factor Upright, Pendent, and Recessed Pendent Sprinklers Quick Response, Standard Coverage

IMPORTANT

Refer to Technical Data Sheet TFP2300 for warnings pertaining to regulatory and health information.

Always refer to Technical Data Sheet TFP700 for the "INSTALLER WARNING" that provides cautions with respect to handling and installation of sprinkler systems and components. Improper handling and installation can permanently damage a sprinkler system or its components and cause the sprinkler to fail to operate in a fire situation or cause it to operate prematurely.

Scan the QR code or enter the URL in a web browser to access the most up-to-date electronic version of this document. Data rates may apply.



docs.jci.com/tycofire/TFP172

General Description

The TYCO Series TY-FRB, 5.6 K-factor, Upright (TY313) and Pendent (TY323) Sprinklers described in this data sheet are quick response, standard coverage, decorative 3 mm glass bulb-type spray sprinklers designed for use in light or ordinary hazard, commercial occupancies such as banks, hotels, and shopping malls.

The recessed version of the Series TY-FRB Pendent Sprinkler, where applicable, is intended for use in areas

with a finished ceiling. This recessed pendent sprinkler uses one of the following:

- A two-piece Style 15 Recessed Escutcheon with recessed adjustment up to 5/8 in. (15,9 mm) from the flush pendent position.
- A two-piece Style 20 Recessed Escutcheon with recessed adjustment up to 1/2 in. (12,7 mm) from the flush pendent position.

The adjustment provided by the Recessed Escutcheon reduces the accuracy to which the fixed pipe drops to the sprinklers must be cut.

Intermediate level versions of Series TY-FRB Sprinklers are described in Technical Data Sheet TFP357. Sprinkler guards and shields are described in Technical Data Sheet TFP780.

NOTICE

The TYCO Series TY-FRB Sprinklers described herein must be installed and maintained in compliance with this document, as well as with the applicable standards of the National Fire Protection Association, in addition to the standards of any other authorities having jurisdiction. Failure to do so may impair the performance of these devices.

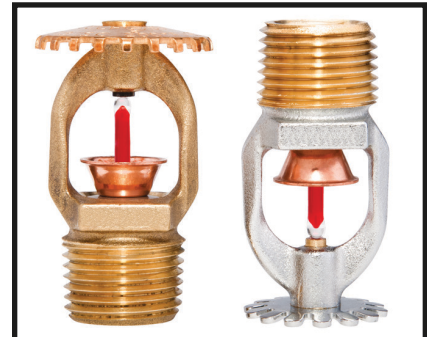
The owner is responsible for maintaining their fire protection system and devices in proper operating condition. Contact the installing contractor or product manufacturer with any questions.

Sprinkler Identification Number (SIN)

TY313 Upright 5.6K, 1/2 in. NPT
TY323 Pendent 5.6K, 1/2 in. NPT

Technical Data

Approvals
See Table A



Maximum Working Pressure
175 psi (12.1 bar)
250 psi (17.2 bar)*

* The maximum working pressure of 250 psi (17.2 bar) only applies to the listing by Underwriters Laboratories, Inc. (UL).

Discharge Coefficient
K=5.6 GPM/psi^{1/2} (80,6 LPM/bar^{1/2})

Temperature Rating
See Table A

Finishes
Sprinkler: See Table B

Recessed Escutcheon: White Coated, Black Coated, Chrome Plated, or Brass Plated

Physical Characteristics

Frame	Bronze
Button	Brass/Copper
Sealing Assembly	Stainless Steel w/TEFLON
Bulb	Glass
Compression Screw	Bronze
Deflector	Bronze

Components:

- 1 - Frame
- 2 - Button
- 3 - Sealing Assembly
- 4 - Bulb
- 5 - Compression Screw
- 6 - Deflector*

* Temperature rating is indicated on Deflector.

** Pipe thread connections per ISO 7-1 can be provided on special request.

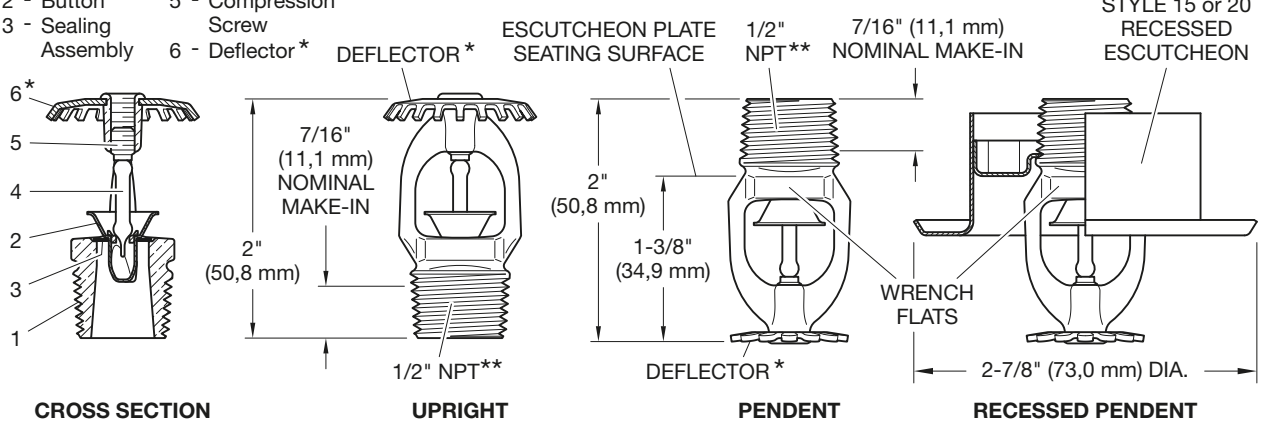


FIGURE 1
SERIES TY-FRB UPRIGHT (TY313) AND PENDENT (TY323) SPRINKLERS
5.6 K-FACTOR, 1/2 INCH NPT, QUICK RESPONSE

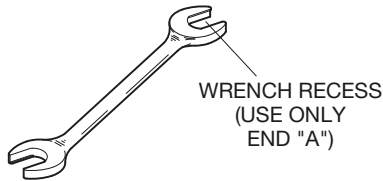


FIGURE 2
W-TYPE 6
SPRINKLER WRENCH

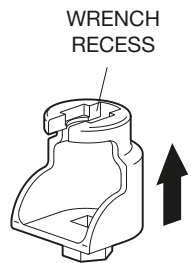


FIGURE 3
W-TYPE 7 RECESSED
SPRINKLER WRENCH

PUSH WRENCH IN TO ENSURE ENGAGEMENT WITH SPRINKLER WRENCHING AREA

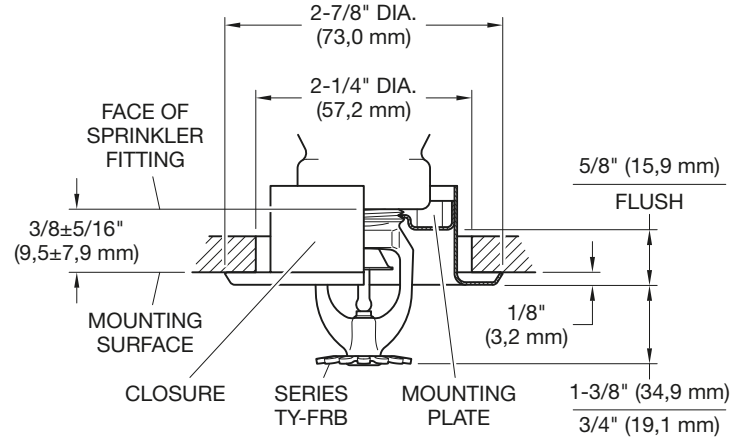


FIGURE 4
SERIES TY-FRB RECESSED PENDENT SPRINKLER ASSEMBLY (TY323)
WITH TWO PIECE 5/8 INCH TOTAL ADJUSTMENT STYLE 15
RECESSED ESCUTCHEON

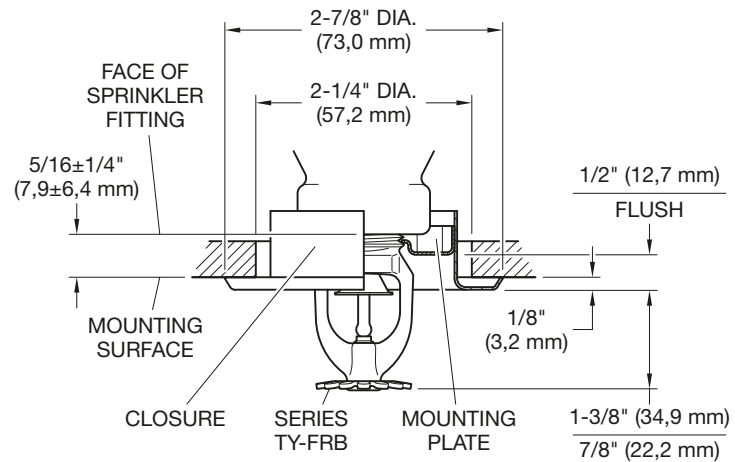


FIGURE 5
SERIES TY-FRB RECESSED PENDENT SPRINKLER ASSEMBLY (TY323)
WITH TWO PIECE 1/2 INCH TOTAL ADJUSTMENT STYLE 20
RECESSED ESCUTCHEON

K-Factor	Type	Temperature	Sprinkler Finish ⁸		
			Bulb Liquid Color	Natural Brass	Chrome Plated
5.6 1/2 in. NPT	UPRIGHT (TY313) and PENDENT (TY323)	135°F (57°C)	Orange		1, 2, 3, 4, 5, 6, 7
		155°F (68°C)	Red		
		175°F (79°C)	Yellow		
		200°F (93°C)	Green		
		286°F (141°C)	Blue		
	RECESSED PENDENT (TY323) Figures 4 ^a and 5 ^b	135°F (57°C)	Orange		1, 2, 3, 4, 7
		155°F (68°C)	Red		
		175°F (79°C)	Yellow		
		200°F (93°C)	Green		

Notes:

1. Listed by Underwriters Laboratories, Inc., (UL) as Quick Response Sprinklers.
2. Listed by Underwriters Laboratories, Inc., for use in Canada (C-UL) as Quick Response Sprinklers.
3. Approved by Factory Mutual Research Corporation (FM) as Quick Response Sprinklers.
4. Approved by the City of New York under MEA 354-01-E.
5. VdS Approved (For details, contact Johnson Controls, Enschede, Netherlands, Tel. 31-53-428-4444/Fax 31-54-428-3377.)
6. Approved by the Loss Prevention Certification Board (LPCB Ref. No. 094a/06) as Quick Response Sprinklers.
7. EAC Approved.
8. Where Polyester Coated Sprinklers are noted to be UL and C-UL Listed, the sprinklers are UL and C-UL Listed as Corrosion-Resistant Sprinklers.
- a. Installed with Style 15 (1/2 in. NPT) 5/8 in. Total Adjustment Recessed Escutcheon, as applicable.
- b. Installed with Style 20 (1/2 in. NPT) 1/2 in. Total Adjustment Recessed Escutcheon, as applicable.
- c. Frame and Deflector only. Listings and approvals apply to color (Special Order).

TABLE A
LABORATORY LISTINGS AND APPROVALS FOR
5.6 K-FACTOR SPRINKLERS

Operation

The glass bulb contains a fluid which expands when exposed to heat. When the rated temperature is reached, the fluid expands sufficiently to shatter the glass bulb, allowing the sprinkler to activate and water to flow.

Design Criteria

The TYCO Series TY-FRB, 5.6 K-factor, Upright (TY313) and Pendent (TY323) Sprinklers are intended for fire protection systems designed in accordance with the standard installation rules recognized by the applicable Listing or Approval agency (such as, UL Listing is based on the requirements of NFPA 13, and FM Approval is based on the requirements of FM's Loss Prevention Data Sheets). Only the Style 15 or Style 20 Recessed Escutcheon is to be used for recessed pendent installations.

Installation

The TYCO Series TY-FRB, 5.6 K-factor, Upright (TY313) and Pendent (TY323) Sprinklers must be installed in accordance with this section.

General Instructions

Do not install any bulb-type sprinkler if the bulb is cracked or there is a loss of liquid from the bulb. With the sprinkler held horizontally, a small air bubble should be present. The diameter of the air bubble is approximately 1/16 in. (1,6 mm) for the 135°F (57°C) and 3/32 in. (2,4 mm) for the 286°F (141°C) temperature ratings.

A leak-tight 1/2 in. NPT sprinkler joint should be obtained by applying a minimum to maximum torque of 7 to 14 lb-ft (9,5 to 19,0 N·m). Higher levels of torque can distort the sprinkler Inlet with consequent leakage or impairment of the sprinkler.

Do not attempt to compensate for insufficient adjustment in the Escutcheon Plate by under- or over-tightening the sprinkler. Re-adjust the position of the sprinkler fitting to suit.

Upright and Pendent Sprinklers

The Series TY-FRB Upright and Pendent Sprinklers must be installed in accordance with the following instructions.

Step 1. Install Pendent sprinklers in the pendent position. Install upright sprinklers in the upright position.

Step 2. With pipe-thread sealant applied to the pipe threads, hand-tighten the sprinkler into the sprinkler fitting.

Step 3. Tighten the sprinkler into the sprinkler fitting using only the W-Type 6 Sprinkler Wrench as shown in Figure 2. Apply the W-Type 6 Sprinkler Wrench to the wrench flats as shown in Figure 1. Torque sprinklers 7 to 14 lb-ft (9,5 to 19,0 N·m).

Recessed Pendent Sprinklers

The Series TY-FRB Recessed Pendent Sprinklers must be installed in accordance with the following instructions.

Step A. After installing the Style 15 or Style 20 Mounting Plate over the sprinkler threads, and with pipe-thread sealant applied to the pipe threads, hand-tighten the sprinkler into the sprinkler fitting.

Step B. Tighten the sprinkler into the sprinkler fitting using only the W-Type 7 Recessed Sprinkler Wrench as shown in Figure 3. Apply the W-Type 7 Recessed Sprinkler Wrench to the sprinkler wrench flats as shown in Figure 1. Torque sprinklers 7 to 14 lb-ft (9,5 to 19,0 N·m).

Step C. After ceiling installation and finishing, slide on the Style 15 or Style 20 Closure over the Series TY-FRB Sprinkler and push the Closure over the Mounting Plate until its flange comes in contact with the ceiling.

P/N^a 77 - XXX - X - XXX

		SIN	SPRINKLER FINISH		TEMPERATURE RATINGS	
370	5.6K UPRIGHT (1/2 in.NPT)	TY313	1	NATURAL BRASS	135	135°F (57°C)
371	5.6K PENDENT (1/2 in.NPT)	TY323	3	PURE WHITE (RAL9010) ^a POLYESTER	155	155°F (68°C)
			4	SIGNAL WHITE (RAL9003) POLYESTER	175	175°F (79°C)
			5	JET BLACK (RAL9005) POLYESTER	200	200°F (93°C)
			9	CHROME PLATED	286	286°F (141°C)

Notes:
a. Use suffix "I" for ISO 7-1 connection; for example, 77-370-4-175-I

Notes:
a. Eastern Hemisphere sales only

TABLE B
SERIES TY-FRB UPRIGHT AND PENDENT SPRINKLERS
PART NUMBER SELECTION

Care and Maintenance

The TYCO Series TY-FRB, 5.6 K-factor, Upright (TY313) and Pendent (TY323) Sprinklers must be maintained and serviced in accordance with this section.

Before closing a fire protection system main control valve for maintenance work on the fire protection system that it controls, obtain permission to shut down the affected fire protection systems from the proper authorities and notify all personnel who may be affected by this action.

Absence of the outer piece of an escutcheon, which is used to cover a clearance hole, can delay sprinkler operation in a fire situation.

The owner must assure that the sprinklers are not used for hanging any objects and that the sprinklers are only cleaned by means of gently dusting with a feather duster; otherwise, non-operation in the event of a fire or inadvertent operation may result.

Sprinklers which are found to be leaking or exhibiting visible signs of corrosion must be replaced.

Automatic sprinklers must never be painted, plated, coated, or otherwise altered after leaving the factory. Modified sprinklers must be replaced. Sprinklers that have been exposed to corrosive products of combustion, but have not operated, should be replaced if they cannot be completely cleaned by wiping the sprinkler with a cloth or by brushing it with a soft bristle brush.

Care must be exercised to avoid damage to the sprinklers before, during, and after installation. Sprinklers damaged by dropping, striking, wrench twist/slippage, or the like, must be replaced. Also, replace any sprinkler that has a cracked bulb or that has lost liquid from its bulb. (Ref. Installation Section.)

The owner is responsible for the inspection, testing, and maintenance of their fire protection system and devices in compliance with this document, as well as with the applicable standards of the National Fire Protection Association such as NFPA 25, in addition to the standards of any other authorities having jurisdiction. Contact the installing contractor or product manufacturer with any questions.

Automatic sprinkler systems are recommended to be inspected, tested, and maintained by a qualified Inspection Service in accordance with local requirements and/or national codes.

Limited Warranty

For warranty terms and conditions, visit www.tyco-fire.com.

Ordering Procedure

Contact your local distributor for availability. When placing an order, indicate the full product name and Part Number (P/N).

Sprinkler Assemblies with NPT Thread Connections

Specify: Series TY-FRB Upright or Pendent (specify) Sprinkler, SIN (specify), K=5.6, Quick Response, (specify) temperature rating, (specify) finish, P/N (specify, refer to Table A).

Recessed Escutcheon

Specify: Style 15 Recessed Escutcheon with (specify*) finish, P/N (specify*)

Specify: Style 20 Recessed Escutcheon with (specify*) finish, P/N (specify*)

* Refer to Technical Data Sheet TFP770

Sprinkler Wrench

Specify: W-Type 6 Sprinkler Wrench, P/N 56-000-6-387

Specify: W-Type 7 Sprinkler Wrench, P/N 56-850-4-001



Worldwide
Contacts | www.tyco-fire.com

TFP172 Change History Appendix

ISSUE DATE	NOTES
09-22	Page 1, updated QR code and URL; Page 3, Table A, added EAC Approved; Page 4, changed corporate address and telephone number to 1467 Elmwood Avenue, Cranston, RI 02910 Telephone +1-401-781-8220, formerly 1400 Pennbrook Parkway, Lansdale, PA 19446 Telephone +1-215-362-0700.
11-21	Added QR code and URL to allow convenient access to electronic version from printed document.
08-18	Updated Tyco® branding and document format; Added Johnson Controls copyright; Added disclaimer stating specifications and information subject to change without notice; Added reference to Regulatory and Health Warning Technical Data Sheet TFP2300.
02-18	Changed Recessed Pendent (TY313) to Recessed Pendent (TY323) in Type column of Table A.
07-17	Added Table A to organize Laboratory Listings and Approvals; Changed existing Part Number Selection table designation to Table B; Added Jet Black (RAL9005) Polyester sprinkler finish option.
02-14	Added note to indicate sprinklers with Polyester Finish are UL and C-UL Listed as Corrosion Resistant Sprinklers; Added LPCB Approval.
01-13	Changed note in Ordering Procedure Part Number Selection table to indicate special order ISO thread sprinklers may be ordered by adding an I suffix code to Part Numbers, formerly described as prefix.
12-12 Rev A	Added C-UL Listings and reference to Intermediate Level sprinkler data sheets.
12-12	New Technical Data Sheet TFP172 describes Series TY-FRB Quick Response 5.6 K-factor (K80) Standard Coverage TY313 Upright and TY323 Pendent and Recessed Pendent Sprinklers