

## Model ESFR-17 16.8 K-factor Pendent Sprinkler Early Suppression, Fast Response

### IMPORTANT

Refer to Technical Data Sheet TFP2300 for warnings pertaining to regulatory and health information.

Always refer to Technical Data Sheet TFP700 for the "INSTALLER WARNING" that provides cautions with respect to handling and installation of sprinkler systems and components. Improper handling and installation can permanently damage a sprinkler system or its components and cause the sprinkler to fail to operate in a fire situation or cause it to operate prematurely.

Scan the QR code or enter the URL in a web browser to access the most up-to-date electronic version of this document. Data rates may apply.



[docs.jci.com/tycofire/TFP322](http://docs.jci.com/tycofire/TFP322)

- Most encapsulated or non-encapsulated common materials including cartoned, unexpanded plastics
- Cartoned, expanded plastics
- Uncartoned, unexpanded plastics
- Uncartoned, expanded plastics
- Some storage arrangements of rubber tires, roll paper, and aerosols

For more specific criteria, see Table B and refer to the applicable design standard.

The Model ESFR-17 Pendent Sprinklers provide the system designer with hydraulic and sprinkler placement options not presently available to traditional ESFR sprinklers with a nominal K-factor of 14.0. In particular, Model ESFR-17 Pendent Sprinklers are designed to operate at substantially lower-end head pressures, as compared to ESFR sprinklers with a nominal K-factor of 14.0. This feature offers flexibility when sizing system piping, as well as possibly reducing or eliminating the need for a system fire pump.

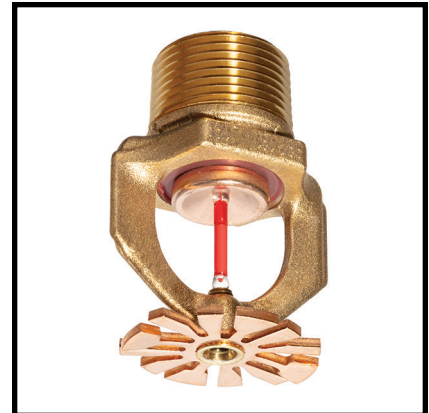
### WARNING

*Sprinkler bulb protector must NOT be removed until sprinkler is to be placed in service. The W-Type 35 Sprinkler Wrench MUST be used for proper installation of the sprinkler. Failure to do so may result in equipment damage or failure.*

### NOTICE

*The Model ESFR-17 Pendent Sprinklers described herein must be installed and maintained in compliance with this document, as well as with the applicable standards of the National Fire Protection Association (NFPA), in addition to the standards of any authorities having jurisdiction, such as FM Global. Failure to do so may impair the performance of these devices.*

*The owner is responsible for maintaining their fire protection system and devices in proper operating condition. Contact the installing contractor or product manufacturer with any questions.*



*In all cases, the appropriate NFPA or FM Global installation standard, or other applicable standard, must be referenced to ensure applicability and to obtain complete installation guidelines. The general guidelines in this technical data sheet are not intended to provide complete installation criteria.*

## Sprinkler Identification Number (SIN)

See Table A

## Technical Data

### Approvals

UL and C-UL Listed  
FM Approved  
EAC Approved

### Finish

Natural Brass

### Physical Characteristics

Frame	.....	Brass
Deflector	.....	Bronze
Compression Screw	.....	Brass
Button	.....	Phosphor Bronze
Bulb(3mm)	.....	Glass
Sealing Assembly	.....	Beryllium Nickel w/TEFLON

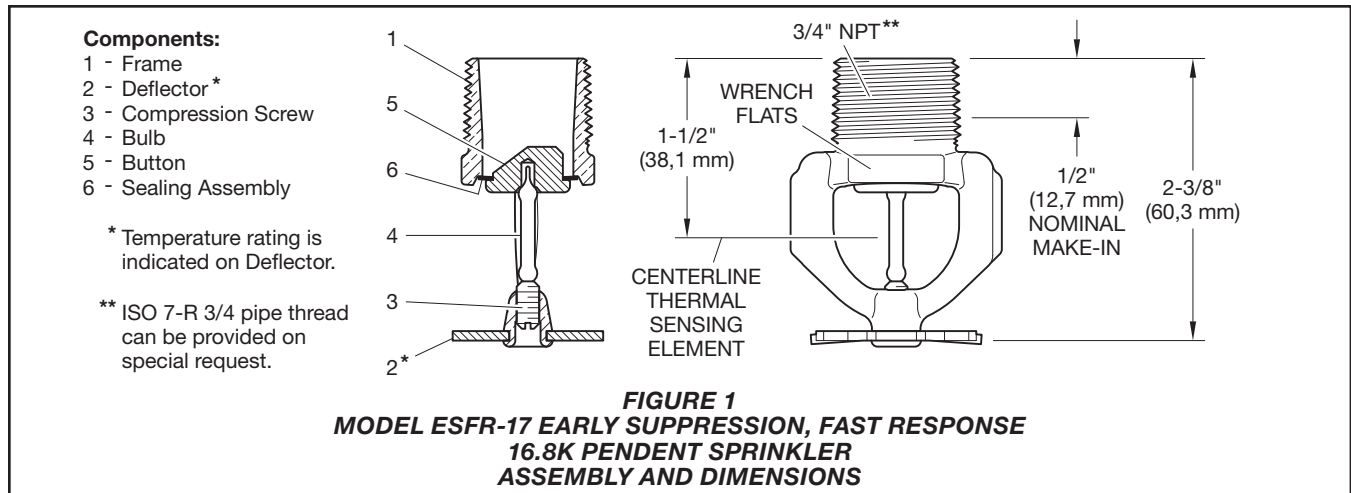
### Additional Technical Data

See Table A

## General Description

TYCO Model ESFR-17 Pendent Sprinklers as shown in Figure 1 are Early Suppression, Fast Response (ESFR) sprinklers with a nominal K-factor of 16.8. They are suppression mode sprinklers that are especially advantageous as a means of eliminating in-rack sprinklers when protecting high-piled storage.

Model ESFR-17 Pendent Sprinklers are primarily used for ceiling-only sprinkler protection of (but not limited to) the following storage applications:



## Operation

The glass bulb contains a fluid that expands when exposed to heat. When the rated temperature is reached, the fluid expands sufficiently to shatter the glass bulb, allowing the sprinkler to activate and water to flow.

## Design Criteria

The following general guidelines provided for the TYCO Model ESFR-17 Pendent Sprinklers can be used for a quick reference.

The National Fire Protection Association (NFPA) or FM Global provide installation standards that must be used to properly design an automatic sprinkler system utilizing Early Suppression, Fast Response (ESFR) Sprinklers. Consequently, the appropriate standard must be used for a given installation.

In all cases, the appropriate NFPA or FM Global installation standard must be referenced to ensure applicability and to obtain complete installation guidelines. The following general guidelines are not intended to provide complete installation criteria.

Item	Description
Sprinkler Identification Number (SIN)	TY7236
K Factor, (gpm/psi <sup>1/2</sup> ) (Lpm/bar <sup>1/2</sup> )	16.8 gpm/psi <sup>1/2</sup> (241,9 Lpm/bar <sup>1/2</sup> )
Temperature Rating °F (°C)	155°F (68°C) 205°F (96°C)
Thread Size	3/4 in. NPT or ISO 7-R 3/4
Sprinkler Orientation	Pendent
Maximum Working Pressure, psi (bar)	175 psi (12,1 bar)

**TABLE A**  
**MODEL ESFR-17 PENDENT SPRINKLER**  
**TECHNICAL DATA**

### System Type

Wet Pipe

### Roof Construction

Unobstructed or obstructed construction, such as smooth ceiling, bar joists, beam and girder.

Where the depths of the solid structural members, such as beams and stem, exceed 12 in. (302 mm), install ESFR sprinklers in each channel formed by the structural members.

### Ceiling Slope

Maximum 2 in. (50,8 mm) rise for 12 in. (304,8 mm) run (16.7%)

### Maximum Coverage Area

100 ft<sup>2</sup> (9,3 m<sup>2</sup>)

In some cases, the installation standards permit a greater coverage area.

### Minimum Coverage Area

64 ft<sup>2</sup> (5,8 m<sup>2</sup>) per NFPA 13 and FM Global 2-0

### Maximum Spacing

12 ft (3,7 m) for building heights up to 30 ft (9,1 m)

10 ft (3,1 m) for building heights greater than 30 ft (9,1 m)

### Minimum Spacing

8 ft (2,4 m)

### Minimum Clearance to Commodity

36 in. (914 mm)

### NFPA 13

#### Deflector-to-Ceiling Distance

6 in. to 14 in. (152 mm to 356 mm)

#### Centerline of Thermal Sensing Element to Ceiling Distance

Refer to FM Global 2-0 for Storage Sprinklers

Storage Type	NFPA	FM Global
Open Frame (i.e., no solid shelves) Single, Double, Multiple-Row, or Portable Rack Storage of Class I-IV and Group A or B Plastics	Refer to NFPA 13 Chapters 16 and 17	Refer to FM 2-0 and 8-9
Solid Pile or Palletized Storage of Class I-IV and Group A or B Plastics	Refer to NFPA 13 Chapters 14 and 15	Refer to FM 2-0 and 8-9
Idle Pallet Storage	Refer to NFPA 13 Chapter 12	Refer to FM 2-0, 8-9, and 8-24
Rubber Tire Storage	Refer to NFPA 13 Chapter 18	Refer to FM 2-0 and 8-3
Roll Paper Storage (Refer to the Standard)	Refer to NFPA 13 Chapter 19	Refer to FM 8-21
Flammable/Ignitable Liquid Storage (Refer to the Standard)	Refer to NFPA 30	Refer to FM 7-29
Aerosol Storage (Refer to the Standard)	Refer to NFPA 30B	Refer to FM 7-31
Automotive Components in Portable Racks (Control mode only; refer to the Standard)	N/A	N/A

N/A – Not Applicable

**TABLE B**  
**MODEL ESFR-17 PENDENT SPRINKLER**  
**COMMODITY SELECTION AND DESIGN CRITERIA OVERVIEW**

## Installation

TYCO Model ESFR-17 Early Suppression, Fast Response 16.8K Pendent Sprinklers must be installed in accordance with this section.

### General Instructions

Do not install any bulb type sprinklers if the bulb is cracked or there is a loss of liquid from the bulb. With the sprinkler held horizontally, a small air bubble should be present. The diameter of the air bubble is approximately 1/16 inch (1,6 mm) for both 155°F (68°C) and 205°F (96°C) temperature ratings.

A leak-tight 3/4 inch NPT sprinkler joint should be obtained by applying a minimum-to-maximum torque of 10 ft-lb to 20 ft-lb (13,4 N·m to 26,8 N·m), or by hand-tightening and applying an additional 1-1/4 to 1-1/2 revolutions of the wrench. Higher levels of torque can distort the sprinkler inlet with consequent leakage or impairment of the sprinkler.

### WARNING

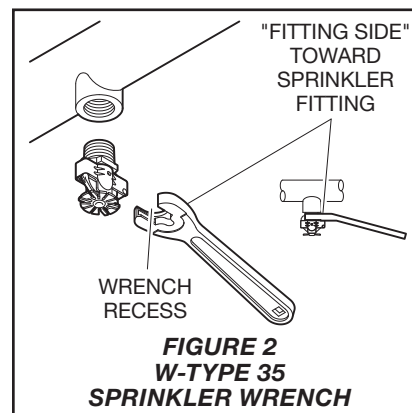
*Sprinkler bulb protector must NOT be removed until sprinkler is to be placed in service. The W-Type 35 sprinkler wrench MUST be used for proper installation of the sprinkler. Failure to do so may result in equipment damage or failure.*

**Note:** Install the Model ESFR-17 Pendent Sprinkler only in the pendent position (See Figure 2).

**Step 1.** With pipe-thread sealant applied, hand-tighten the sprinkler into the sprinkler fitting. Do not apply pressure to the bulb assembly, and handle the sprinkler only by the frame arms.

**Step 2.** Wrench-tighten the sprinkler using only the W-Type 35 Sprinkler Wrench shown in Figure 2, and by fully engaging (seating) the wrench on the sprinkler wrench flats shown in Figure 1.

**Step 3.** After installation, inspect the bulb of each sprinkler for damage. In particular, verify that the bulb is not cracked. Replace damaged sprinklers.



## Care and Maintenance

TYCO Model ESFR-17 Early Suppression, Fast Response 16.8K Pendent Sprinklers must be maintained and serviced in accordance with this section.

Before closing a fire protection system main control valve for maintenance work on the fire protection system that it controls, obtain permission to shut down the affected fire protection system from the proper authorities and notify all personnel who may be affected by this action.

Sprinklers which are found to be leaking or exhibiting visible signs of corrosion must be replaced.

Automatic sprinklers must never be painted, plated, coated, or otherwise altered after leaving the factory. Modified sprinklers must be replaced. Sprinklers that have been exposed to corrosive products of combustion, but have not operated, should be replaced if they cannot be completely cleaned by wiping the sprinkler with a cloth or by brushing it with a soft bristle brush.

Care must be exercised to avoid damage to the sprinklers before, during, and after installation. Sprinklers damaged by dropping, striking, wrench twist/slippage, or the like, must be replaced. Also, replace any sprinkler that has a cracked bulb or that has lost liquid from its bulb. For more information, see the Installation section.

The owner is responsible for the inspection, testing, and maintenance of their fire protection system and devices in compliance with this document, as well as with the applicable standards of the National Fire Protection Association such as NFPA 25, in addition to the standards of any authorities having jurisdiction. Contact the installing contractor or product manufacturer with any questions.

Automatic sprinkler systems are recommended to be inspected, tested, and maintained by a qualified Inspection Service in accordance with local requirements and/or national codes.

## Limited Warranty

For warranty terms and conditions, visit [www.tyco-fire.com](http://www.tyco-fire.com).

## Ordering Procedure

Contact your local distributor for availability. When placing an order, indicate the full product name and part number (P/N).

### Sprinkler Assemblies with 3/4 NPT Thread Connection

Specify: Model ESFR-17 Early Suppression, Fast Response 16.8K Pendent Sprinklers (TY7236) with 3/4 NPT thread connection, (specify temperature rating), with Natural Brass finish, P/N (specify):

155°F (68°C) . . . . . 58-462-1-155  
205°F (96°C) . . . . . 58-462-1-205

### Special Order

#### Sprinkler Assemblies with ISO 7-R 3/4 Thread Connection

Specify: Model ESFR-17 Early Suppression, Fast Response 16.8K Pendent Sprinklers (TY7236) with ISO 7-R 3/4 thread connection, (specify temperature rating), with Natural Brass finish, P/N (specify):

155°F (68°C) . . . . . 58-463-1-155  
205°F (96°C) . . . . . 58-463-1-205

### Sprinkler Wrench

Specify: W-Type 35 Sprinkler Wrench  
P/N 56-463-1-001



## **TFP322**

### **Change History Appendix**

ISSUE DATE	NOTES
08-22	Page 1, updated QR code and URL; Page 4, changed corporate address and telephone number to 1467 Elmwood Avenue, Cranston, RI 02910   Telephone +1-401-781-8220, formerly 1400 Pennbrook Parkway, Lansdale, PA 19446   Telephone +1-215-362-0700.
04-22	Page 1, Approvals sub-section, added EAC Approved.
11-21	Added QR code and URL to allow convenient access to electronic version from printed document.
03-21	Removed statement from General Description section indicating applications expanding beyond recognized installation standards and advising customers to contact Technical Services for fire test information potentially acceptable to authority having jurisdiction; Changed FM Approved limited to 155°F (68°C) Temperature Rating only; Replaced 200°F (93°C) Temperature Rating with 205°F (96°C); Changed 205°F (96°C) Temperature Rating Part Numbers to 58-462-1-205 and 58-463-1-205; formerly 58-462-1-200 and 58-463-1-200.
04-19	Added FM Approved for 155°F (68°C) Temperature Rating and other FM Global information.
08-18	Updated Tyco® branding and document format; Added Johnson Controls copyright; Added disclaimer stating specifications and information subject to change without notice; Added reference to Regulatory and Health Warning Technical Data Sheet TFP2300.
11-17	Removed FM Approved.
08-17	Changed Compression Screw material to Brass, formerly Stainless Steel.
07-17	New Technical Data Sheet TFP322 describes Model ESFR-17 TY7236 16.8 K-factor Pendent Sprinkler.