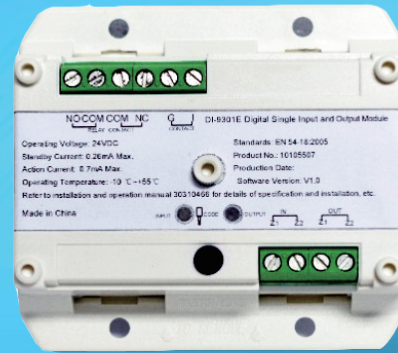


DI-9301E

Digital Single Input and Output Module



Description

DI-9301E Digital Single Input and Output Module provides dry contact output (normally open and/or normally closed) following command from fire alarm control panel, also possible receives switch signal (dry contact) from field equipment and transmits to FACP. The input and output can be programmed to monitor and control the same or different equipment.

Features and Benefits

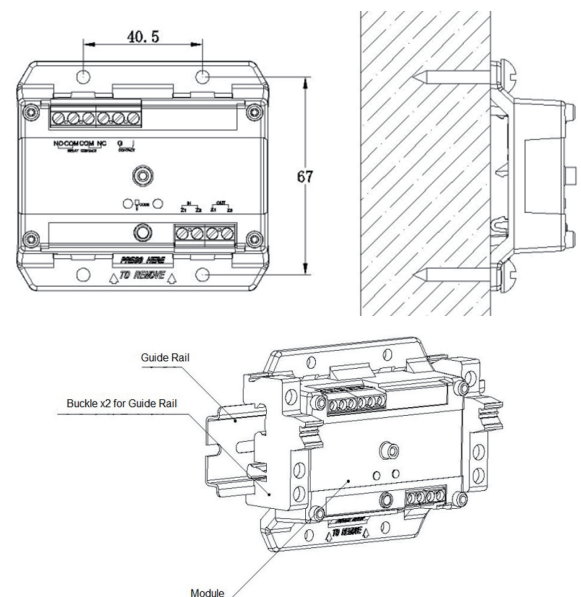
- Input port monitored with 4.7KΩ EOLR
- Normally open or normally closed contact input signal acceptable
- Input port co-operates with output or works individually
- Electronically addressed. Addresses can be modified in field
- Built-in microprocessor and AD sampling technology
- Rail mount or surface mount

Certificates and Compliance

- Standards: EN 54-18:2005
- Certifications: LPCB CE
- WEEE & RoHS Compliant

Installation

The installation points of the module are shown below, Wall-mount and Rail-mount. DIN-35mm rail is applicable.



Terminals and Recommended Cabling

(Z1, Z2) IN & OUT: Loop (SLC) connection, In & Out, non-polarized
 I, G: Contact input, non-polarized
 Recommended Cabling: Minimum 1.0mm², Maximum 2.0mm² twisted pair cable, and subject to local codes

Application

The module is electronically programmable. Set the address and input parameter by handheld programmer P-9910B. Press Fn and then number 3, The input can be N/O (default), N/C or self-confirm.

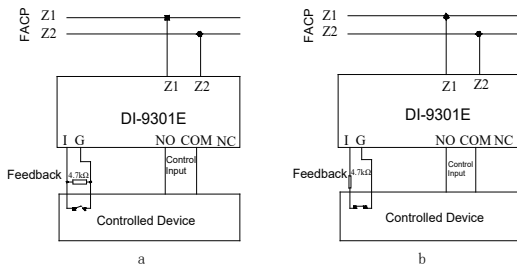
Parameters Setting	Input	Output
1	Self-Confirm	NO checking
2	Normally-closed	NO checking
3	Normally-open	NO checking
11	Self-Confirm	Checking
12	Normally-closed	Checking
Others(Default)	Normally-open	Checking

The module address quantity also can be set by handheld programmer. The input and output will take individual addresses when taking continuous 2 addresses. The input port takes the 1st address, and the output port takes the 2nd. The input and output will take the same address under single address mode. Press Fn and then number 4, the number of address points can be set.

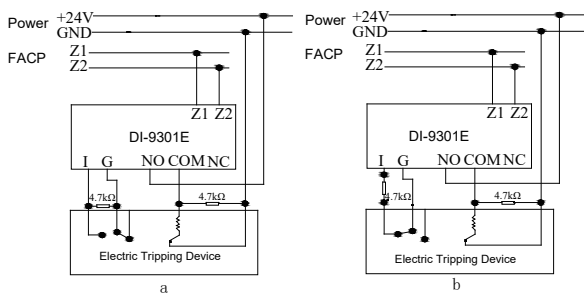
Parameters (Function-4)	Address QTY
2	2
Other numbers (Default)	1

The operation can be done either through the clips-link to the terminals (Z1&Z2), or through the earphone-link to the 3.5mm code-jack.

Below figures shows Connection of the module to field devices with normally open dry contact



Below figure shows connection of the module to devices controlled by 24V



Technical Specification

Operating Voltage	Loop 24VDC (16VDC - 28VDC) Power Limited
Standby Current	≤ 0.26 mA
Action Current	Loop ≤ 0.7mA
Output Capacity	2A @ 30 VDC, Normally-open/Closed
Programming	Electronically addressing
Address Range	1 address, from 1 to 242 2 addresses, from 1 to 241
Indicator	Input LED: Red. It lights in receiving feedbacks, lights 0.5s on, 0.5s off in input faults, and flashes in other states. Output LED: Red. It lights in relay action, 0.5s on and 0.5s off as there is output fault. It turns off in other states.
Ingress Protection Rating	IP30
Operating Temperature	-10°C ~ +55°C
Relative Humidity	≤ 95%, Non Condensing
Material and Color of Enclosure	ABS, white (RAL9016)
Dimension (L×W×H)	85.3mm×78mm×33mm
Weight	About 66.5g

Order Information and Compatible Products

Part No.	DI-9301E
Device Name	Digital Single Input and Output Module
Product No.	10105507
Compatible Products	GST200N series Intelligent Fire Panel GST-IFPx series Intelligent Fire Panel

Accessories and Tools



Part No.: P-9910B
Device name: Handheld Programmer
Product No.: 10104894



Part No.: GST-MBX22
Device name: Module Box
Product No.: 30208656



Part No.: GST-MBX29
Device name: Module Box
Product No.: 30208657



Part No.: D-93CT2
Device name: Din-rail Module Transparent Cover 2U
Product No.: 20103183