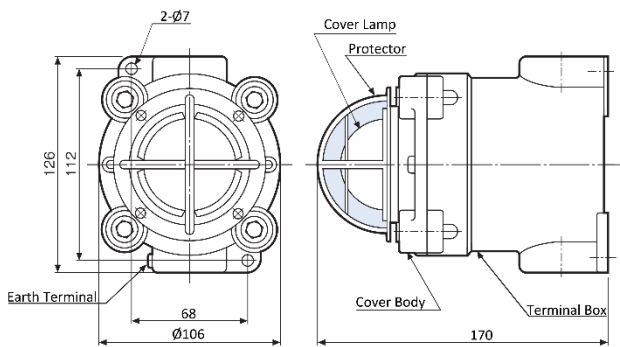


## TPLD-R EXPLOSIONPROOF INDICATION LAMP



### DIMENSION



Unit: mm

### SPECIFICATIONS

Type	Indication Lamp
Model	TPLD-R
Structure	Explosion Proof Type
Explosion Proof Grade	d2G5
Operating Voltage	5W @24V
Material	Cover (Lamp) Hard Glass (RED) Protector SWP Terminal Box ADC12 Cover Body AC7A-F
Color	Munsell 7.5BG5/2 (Protector: White)
Weight	Approx. 1.9kg
Country of Origin	Japan
Approval	TIIS No. 68775

Specifications subject to change without notice

09/2017

#### HOCHIKI ASIA PACIFIC PTE. LTD.

71 UBI Road 1 #07-40/41

Oxley Bizhub Singapore 408732

TEL : 65-6841-9728 FAX : 65-6841-9781

URL : [www.hochikisingapore.com](http://www.hochikisingapore.com)

#### HEAD OFFICE

10-43 Kamiosaki 2-Chome. Shinagawa-Ku,  
Tokyo 141-8660 Japan

TEL : 81-(3)-3444-4116 FAX : 81-(3)-3444-4167

URL : [www.hochiki.co.jp](http://www.hochiki.co.jp)