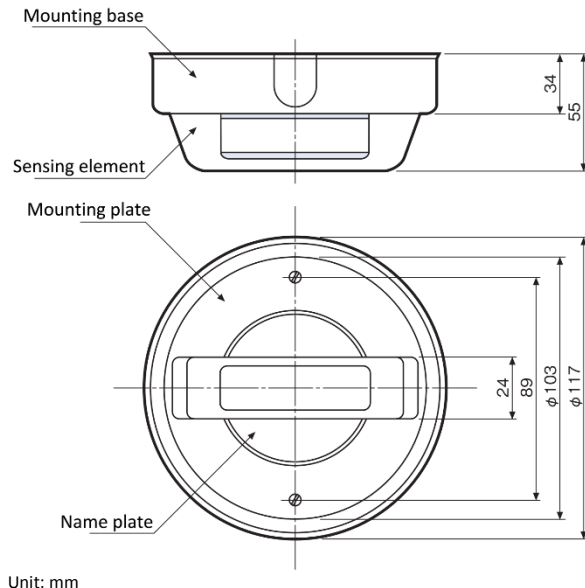


W27021-6-1 SERIES FIXED TEMPERATURE TYPE HEAT DETECTOR



DIMENSION



SPECIFICATIONS

Type	Fixed Temperature Type Class 1. Waterproof Type
Model	W27021-6-1-Y 1: Surface Mount Type Y: Detection Temperature
Alarm Current	100mA @30Vdc
Material Cover	SPCC t0.6
Mount Plate	SPCC t1.0
Mount Base	SPCC t1.0
Sensor	SUS321
Approx. cable Length	200mm
Approx. Weight	250g
Country of Origin	Japan
Approvals	JFEII
Made By	Fenwal Controls Of Japan, Ltd.

Model	Normal Operating Temperature	Operating Temperature Range
W27021-6-1-060	60 °C	-10°C ~ 40 °C
W27021-6-1-070	70 °C	-10°C ~ 50 °C
W27021-6-1-080	80 °C	-10°C ~ 60 °C
W27021-6-1-090	90 °C	-10°C ~ 70 °C
W27021-6-1-100	100 °C	-10°C ~ 80 °C
W27021-6-1-120	120 °C	-10°C ~ 100 °C
W27021-6-1-150	150 °C	-10°C ~ 130 °C

APPLICATION

The W27021-6 series is fixed temperature waterproof heat detector are suited for installation where high heat output fires are expected or in areas where ambient conditions would not allow use of other detection methods.

There are variation of detection temperatures such 60 °C, 70 °C, 80°C, 90°C, 100°C, 120°C and 150°C.

Specifications subject to change without notice

09/2017

HOCHIKI ASIA PACIFIC PTE. LTD.

71 UBI Road 1 #07-40/41

Oxley Bizhub Singapore 408732

TEL : 65-6841-9728 FAX : 65-6841-9781

URL : www.hochikisingapore.com

HEAD OFFICE

10-43 Kamiosaki 2-Chome. Shinagawa-Ku,

Tokyo 141-8660 Japan

TEL : 81-(3)-3444-4116 FAX : 81-(3)-3444-4167

URL : www.hochiki.co.jp